

NEW JERSEY

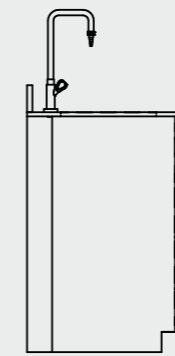
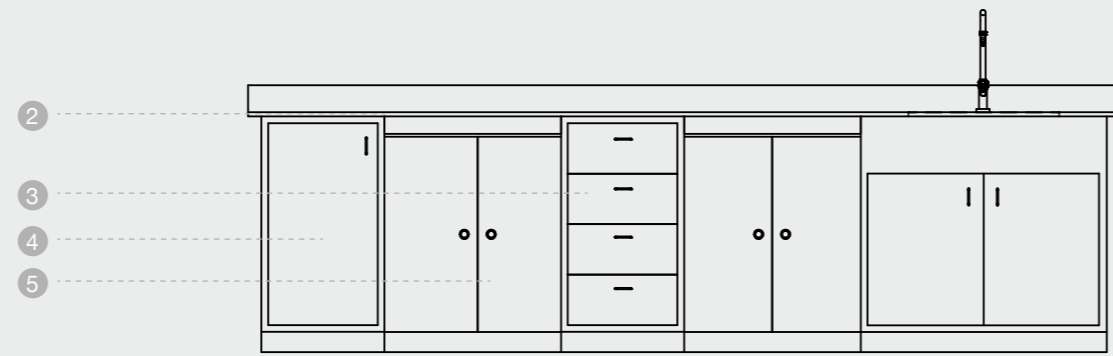


BY ADVANCELAB



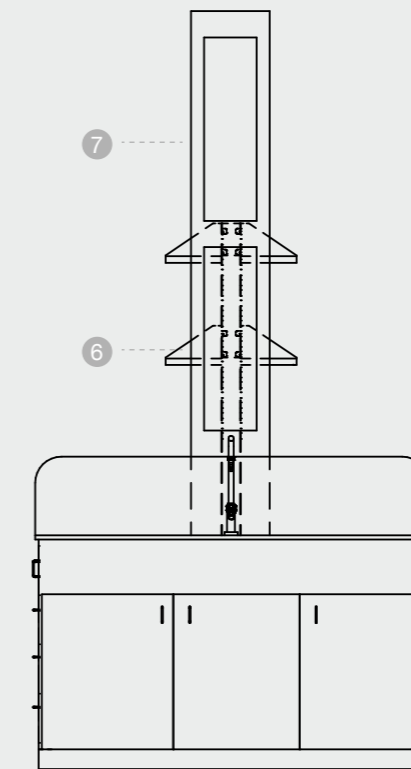
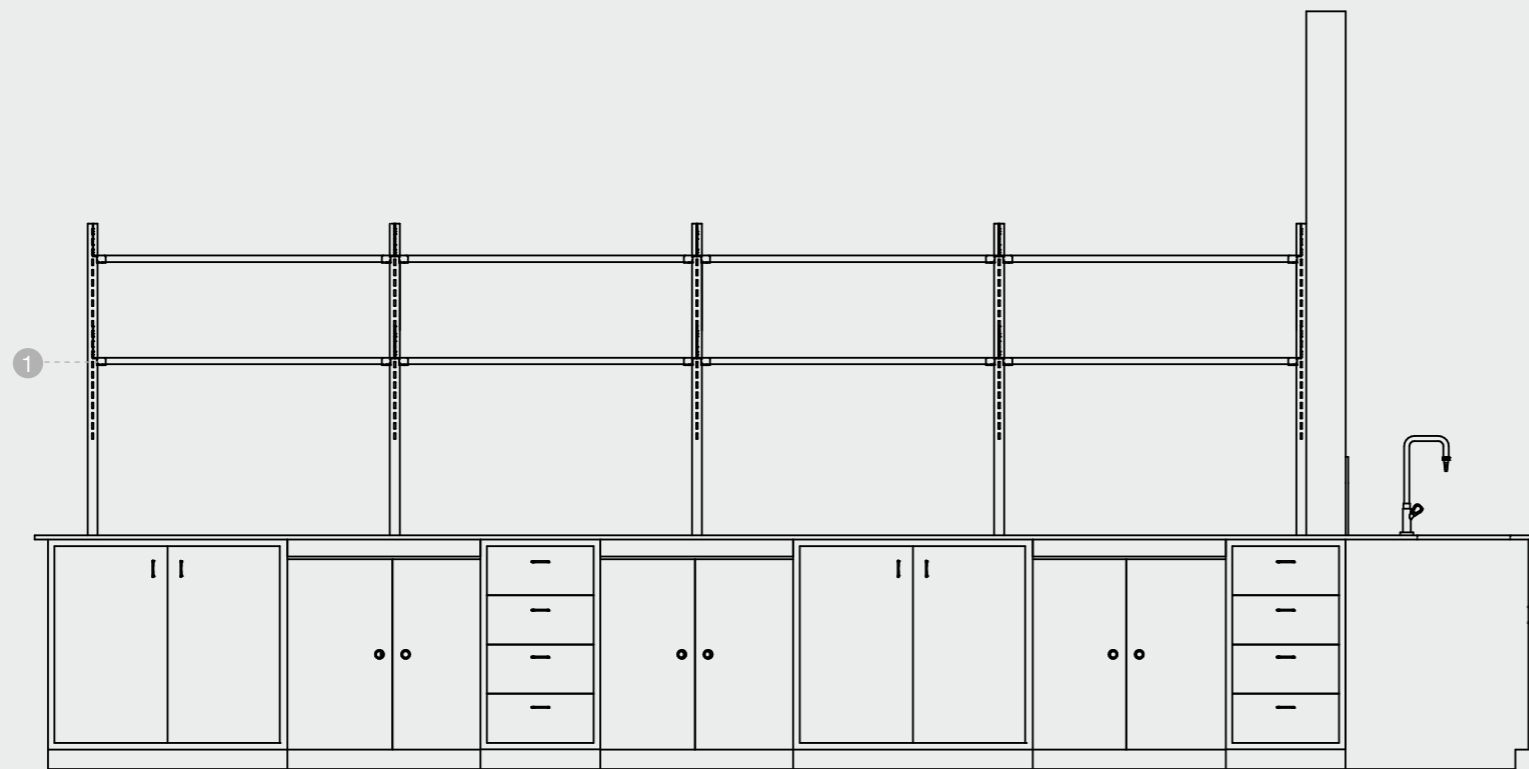
BUILT TOUGH





100
876

450



1190
876

914

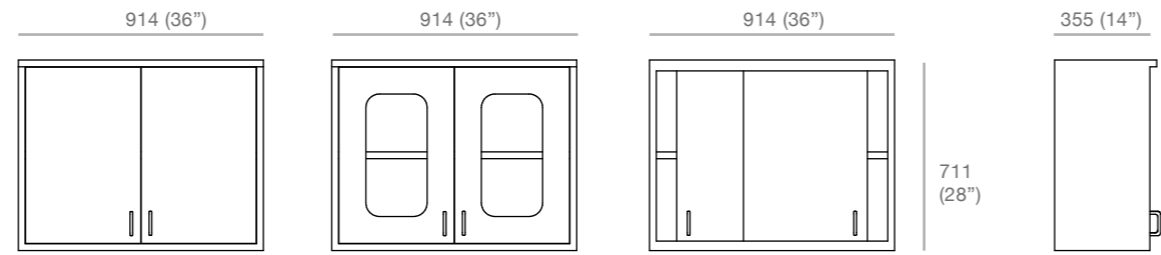
457

914 / 1473

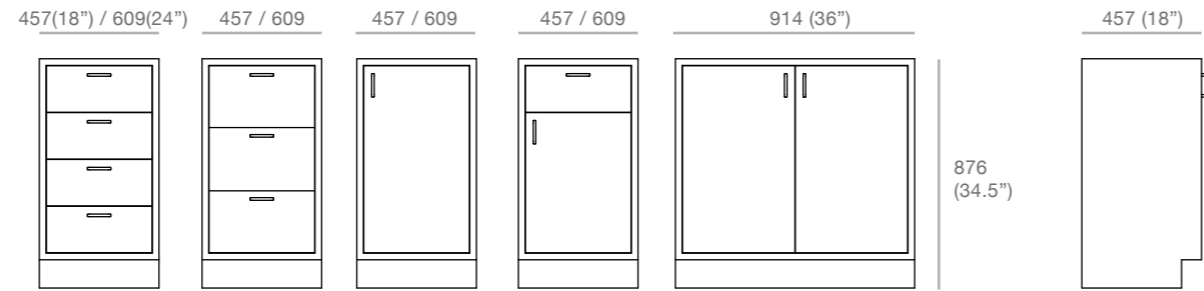
- 01 Reagent Rack
- 02 Table Top
- 03 Drawer
- 04 Cabinet
- 05 Knee Space
- 06 Adjustable Shelves
- 07 Service Dropper

Cut Sheet

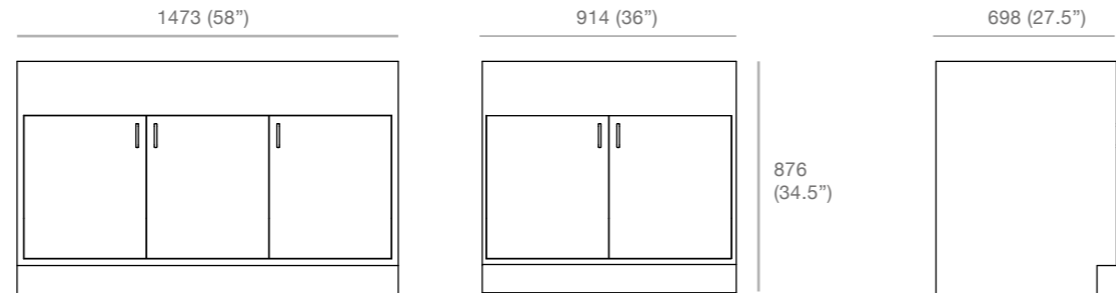
Wall Cabinet



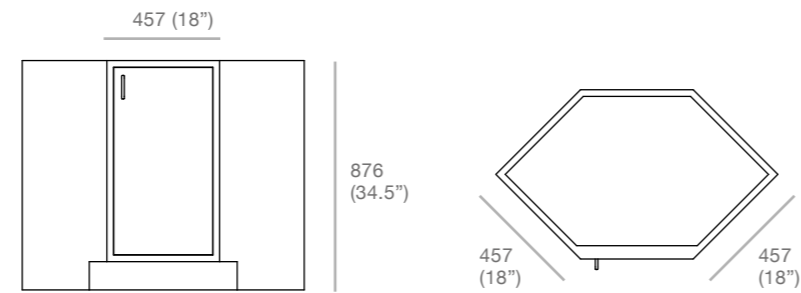
Mobile Pedestal



Sink Unit



Corner Cabinet





COLOUR

- 01 Ocean Blue
- 02 Light Blue
- 03 Pastel Green
- 04 Emerald Green
- 05 Yellow
- 06 Yellow Orange
- 07 Traffic Red
- 08 Purple White
- 09 White
- 10 Cream
- 11 Light Grey
- 12 Dark Grey
- 00 Black

Accessories

Taps



1 Way Water Faucet
 ADBM104 - 3B1
 Bench Mount, Swivel Neck & Fixed Nozzle.
 Weight: 1.18 kg



2 Way Water Faucet
 ADBM110 - 3B1
 Bench Mount & Fixed Nozzle.
 Weight: 1.45 kg



3 Way Water Faucet
 ADBM106 - 5B1
 Bench Mount, Swivel Neck & Fixed Nozzle
 Weight: 2.18 kg



1 Way Bench Gas Valve
 ADOM010 NG
 Lift & Turn Operation & Fixed Nozzle
 Weight: 0.65 kg

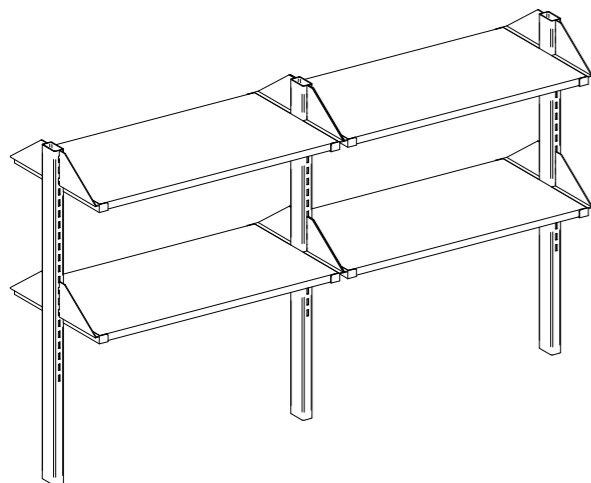


2 Way 90° Bench Gas Valve
 ADOM020 NG
 Lift & Turn Operation & Fixed Nozzle
 Weight: 0.83 kg



2 Way 180° Bench Gas Valve
 ADOM025 NG
 Lift & Turn Operation & Fixed Nozzle
 Weight: 0.81 kg

Reagent Rack



Reagent Rack

Electric Sockets



Single 3-Pin Power Socket
 Electric Power Socket
 13A



Twins 3-Pin Power Socket
 Electric Power Socket
 13A

Drying Rack



AD 450 Drying Rack
 High impact Polyethylene drying rack. The back plate of the 72 place support is made from a single mould of 4 mm rigid HIPS.
 Size: 450mm x 630mm x 110mm

Safety Equipment



Single Bench Mount Eyewash
 ADE200SS
 Single Nozzle Bench Spray Unit, Vertical Extraction (Top Mounting)



Twins Bench Mount Eyewash
 ADE300SS
 Twins Nozzle Bench Spray Unit, Vertical Extraction (Top Mounting)

Dilution Tank



AD250 PPDT
 Advancelab dilution tank made by full polypropylene construction. Available in 250mm diameter.
 Size: 250mm x 300mm x 250mm

Worktops

	Type	Thickness	Colour
	Phenolic Resin	16mm (Standard) 25mm	Grey
	Epoxy Resin	19mm (Standard) 25mm	Grey, Black
	Stainless Steel 304 Stainless Steel 316	1.2mm (Standard) 1.5mm	





Singapore

Advancelab (S) Pte Ltd

No.52 Senang Crescent, Singapore
416619

Tel: +65 6448 8255

Fax: +65 6448 9833

Email: info@advancelab.com.sg

Malaysia

Advancelab Sdn Bhd

KL Office: Unit B-1-10, Block B, No. 2,
Jalan PJU 1A/7A, Oasis Square, Ara
Damansara, 47301 Petaling Jaya,
Selangor Darul Ehsan, Malaysia.

Tel: +603 7831 0188

Fax: +603 78310588

Email: info-my@advancelab-global.com

Johor Factory: No. 3388, Jalan Pekeliling
Tanjung 27/2, Kawasan Perindustrian
Indahpura, 81000 Kulaijaya, Johor,
Malaysia.

Tel: +607 660 8877

Fax: +607 660 8866

Myanmar

Advancelab Scientific & Engineering Co., Ltd

No.(976/Ka), Than Thu Mar Road, 5th
Ward, South Okkalapa Township,
Yangon, Myanmar.

Tel: +95 (1) 572393 / +95 (9) 779753802

Fax: +95 (1) 572393

Email: info-mm@advancelab-global.com

Indonesia

PT Roland Golden Age

Jl. Pondok Pinang Raya No. 3

Jakarta Selatan - 12310, Indonesia.

Tel: +62 21 22705975/76/77

Fax: +62 21 22705978

Email: sales@roland.co.id

Thailand

Prima Scientific Co., Ltd.

147 / 170 - 171 Baromrajchonnane Road,
Arunamarin Bangkoknoi, Bangkok 10700,
Thailand.

Tel: +66 2 884 9480

Fax: +66 2 884 6441

Email: primasci@advancelab-global.com

Cambodia

Dynamic Scientific Co., Ltd

432 Preah Monivong Boulevard
Phnom Penh, 12301, Cambodia.

Tel: +855 23 726 018

Fax: +855 23 726 016

Email: dscse1@dynamic.com.kh

Laos

SP Medical Lab Sole Co., Ltd

Khamhoung Village, Xaythany District
Vientiane Capital, Laos.

Tel: +0066 3838 7988

Fax: +85620 9965 0504

Email: natchakot@gmail.com

U.A.E (Dubai)

Advancelab FZCO

No.FZJOAB1310 Jafza One, Jebel Ali
Dubai, United Arab Emirates

Email: info@advancelab.com.sg

NEW
JERSEY