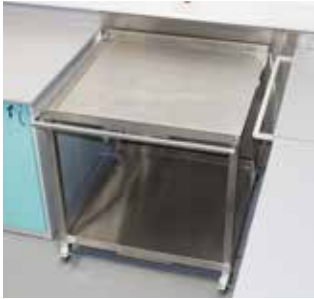
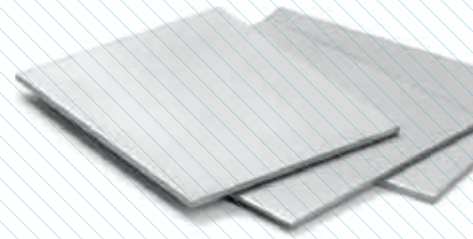




# LABORATORY CART




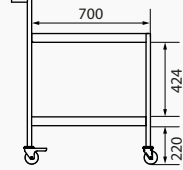
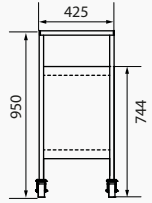

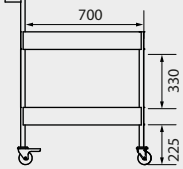
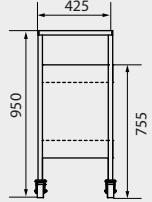

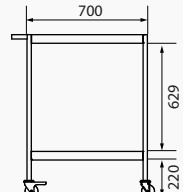
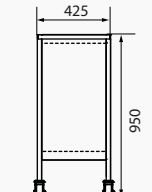
# Laboratory Cart Features




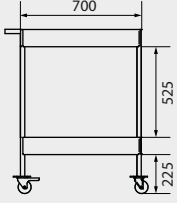
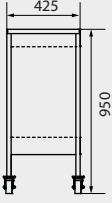

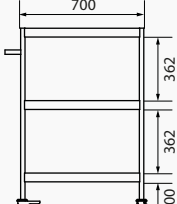
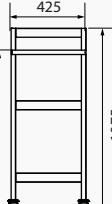

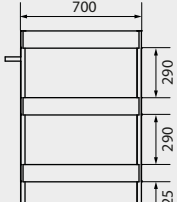
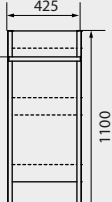
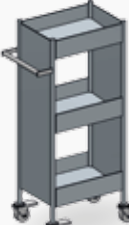
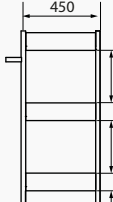
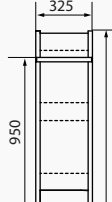

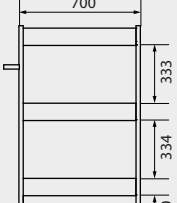
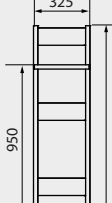

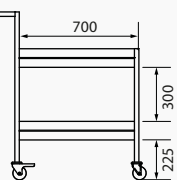
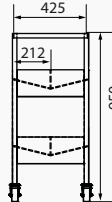
Advancelab manufactures carts are specially designed for transporting or storing almost anything requiring a mobile application.

- ◆ Made of stainless steel, SS 304  
Lightweight
- ◆ Casters which absorb vibration over rough, uneven floors. Two toe-locks keep cart stationary when needed
- ◆ Easy to clean and safer for transporting glassware
- ◆ Also manufacture in **polypropylene**, call factory for details.


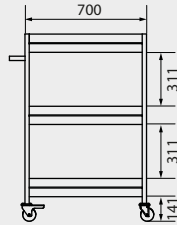
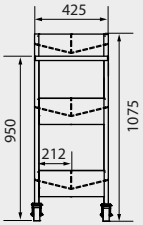

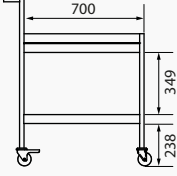
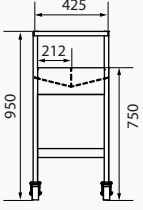

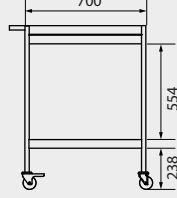
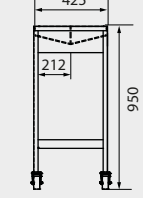

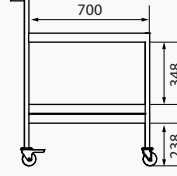
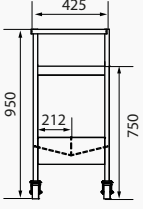

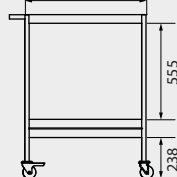
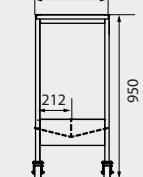

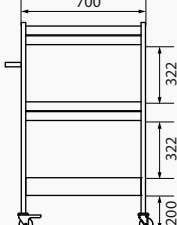
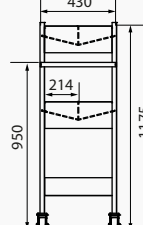
## Model

Model	Product Description	Front View	Side View
 <p><b>AD01LC</b></p>	<p><b>2 Standard 50mm Shallow Trays</b>                      Sizes: 700mm (W) x 425mm (D) x 744mm (H)</p>		
 <p><b>AD02LC</b></p>	<p><b>2 Standard 100mm Deep Trays</b>                      Sizes: 700mm (W) x 425mm (D) x 755mm (H)</p>		
 <p><b>AD03LC</b></p>	<p><b>2 Standard 50mm Shallow Trays</b>                      Sizes: 700mm (W) x 425mm (D) x 950mm (H)</p>		

# Model

Model	Product Description	Front View	Side View
 <p data-bbox="92 663 201 696"><b>AD04LC</b></p>	<p data-bbox="504 472 911 506"><b>2 Standard 100mm Deep Trays</b></p> <p data-bbox="504 517 951 544">Sizes: 700mm (W) x 425mm (D) x 950mm (H)</p>		
 <p data-bbox="92 943 201 976"><b>AD05LC</b></p>	<p data-bbox="504 759 804 792"><b>3 Shallow 50mm Trays</b></p> <p data-bbox="504 804 963 831">Sizes: 700mm (W) x 425mm (D) x 1075mm (H)</p>		
 <p data-bbox="92 1211 201 1245"><b>AD06LC</b></p>	<p data-bbox="504 1039 911 1072"><b>3 Standard 100mm Deep Trays</b></p> <p data-bbox="504 1084 963 1111">Sizes: 700mm (W) x 425mm (D) x 1100mm (H)</p>		
 <p data-bbox="92 1491 201 1525"><b>AD07LC</b></p>	<p data-bbox="504 1308 876 1341"><b>3 S-Size 100mm Deep Trays</b></p> <p data-bbox="504 1352 963 1379">Sizes: 450mm (W) x 325mm (D) x 1100mm (H)</p>		
 <p data-bbox="92 1760 201 1794"><b>AD08LC</b></p>	<p data-bbox="504 1588 884 1621"><b>3 M-Size 100mm Deep Trays</b></p> <p data-bbox="504 1632 963 1659">Sizes: 700mm (W) x 325mm (D) x 1175mm (H)</p>		
 <p data-bbox="92 2040 201 2074"><b>AD09LC</b></p>	<p data-bbox="504 1861 1023 1895"><b>2 Standard Double-Sided Sloping Shelf</b></p> <p data-bbox="504 1906 951 1933">Sizes: 700mm (W) x 425mm (D) x 950mm (H)</p>		

# Model

Model	Product Description	Front View	Side View
 <p><b>AD10LC</b></p>	<p><b>3 Standard Double-Sided Sloping Shelf</b>            Sizes: 700mm (W) x 425mm (D) x 1075mm (H)</p>		
 <p><b>AD11LC</b></p>	<p><b>1 Standard Double-Sided Sloping Shelf;            1 Standard 50mm Shallow Trays</b>            Sizes: 700mm (W) x 425mm (D) x 750mm (H)</p>		
 <p><b>AD12LC</b></p>	<p><b>1 Standard Double-Sided Sloping Shelf;            1 Standard 50mm Shallow Trays</b>            Sizes: 700mm (W) x 425mm (D) x 950mm (H)</p>		
 <p><b>AD13LC</b></p>	<p><b>1 Standard Double-Sided Sloping Shelf;            1 Standard 50mm Shallow Trays</b>            Sizes: 700mm (W) x 425mm (D) x 750mm (H)</p>		
 <p><b>AD14LC</b></p>	<p><b>1 Standard Double-Sided Sloping Shelf;            1 Standard 50mm Shallow Trays</b>            Sizes: 700mm (W) x 425mm (D) x 950mm (H)</p>		
 <p><b>AD15LC</b></p>	<p><b>2 Standard Double-Sided Sloping Shelf;            1 Standard 100mm Deep Trays</b>            Sizes: 700mm (W) x 430mm (D) x 1175mm (H)</p>		

# Warranty

Products Manufactured by Advancelab: Advancelab(S) Pte.Ltd., warrants products that it manufactures to be free from defects for a period of 12 months for parts, commencing from the date of shipment. Advancelab's sole responsibility is to repair or replace, at its option, any part of the product that proves defective or malfunctioning during this time limit. This warranty is void if the equipment is abused or modified by the customer, is operated outside Advancelab's operating instructions or specifications, or is used in any application other than that for which it is specified. This warranty does not include routine maintenance or service procedures, breakage, shipping damage, nor damage from misuse, intentional or unintentional abuse, neglect, natural disasters, or acts of God.

**Freight Shortage or Damage:** Upon receipt of any equipment from Advancelab, customer shall immediately unpack and inspect for damage or shortage. The customer shall not accept a damaged package or a short shipment until the carrier makes a "damage or shortage" notation on both the carrier's and customer's copy of the freight bill or delivery receipt. Service title passes when the shipment is loaded, so customer is responsible for filing and collecting a freight claim. Any replacement products must be ordered and paid for separately.

Generally, customers can improve the chance of collecting on a freight claim by following these procedures:

1. Formally requesting that the carrier inspect the shipment immediately upon suspecting damage or shortage to verify condition.
2. Notifying the carrier upon discovery of concealed damage and requesting an inspection within 15 days of receipt, both in person or phone and following up via mail.
3. Keeping the shipment as intact as possible, including retaining original packaging materials and keeping the product as close to the original receiving location as possible.
4. Holding salvage for disposition by the carrier.

**All Claims:** Advancelab (S) Pte.Ltd., expressly disclaims all other warranties, expressed or implied or implied by statute, including the warranties of merchantability or fitness for intended use. Advancelab is not responsible for consequential or incidental damages arising out of the purchase or use of the products supplied by Advancelab. Advancelab is not liable for damage to facilities, other equipment, products, property or personnel of others, or of their agents, suppliers, or affiliated parties, which is caused or alleged to have been caused by products supplied by Advancelab. In any event or series of events, Advancelab's total liability for any and all damages whatsoever is limited to the lesser of the actual damages or the original invoice cost of the items alleged to have caused the damage. The customer's sole and exclusive remedy for any cause of action whatsoever is repair or replacement of the non-conforming products or refund of the actual purchase price, at the sole option of Advancelab. All claims must be made in writing within 90 days of the date the product was shipped. Any claims not made within this time limit shall be deemed waived by the customer. Advancelab is not responsible for any additional costs of repair caused by poor packaging or in-shipment damage during return.

**Warranty Returns:** All warranty returns must be authorized in advance by Advancelab and approved by writing. Unless approved in advance for good reason, all returns must be in original condition, including all manuals, and must be packaged in original packaging materials. All returned goods are to be shipped to Advancelab, freight prepaid at customer's expense.

# LABORATORY CART

## Indonesia

PT. Advancelab Saintifik

Jl. Boulevard Raya Blok QJ 5 No. 23  
Kelapa Gading, Jakarta Utara, Indonesia  
Tel: +6221 45854570  
Fax: +6221 45854570  
Email: info-id@advancelab-global.com  
Website: www.advancelab.com.sg

## Malaysia

Advancelab Sdn Bhd

KL Office: Unit B-1-10, Block B, No. 2,  
Jalan PJU 1A/7A, Oasis Square, Ara  
Damansara, 47301 Petaling Jaya,  
Selangor Darul Ehsan, Malaysia.  
Tel: +603 7831 0188  
Fax: +603 78310588  
Email: info-my@advancelab-global.com  
Website: www.advancelab.com.sg

Johor Factory: No. 3388, Jalan  
Pekeliling Tanjung 27/2, Kawasan  
Perindustrian Indahpura, 81000  
Kulajaya, Johor, Malaysia.

Tel: +607 660 8877  
Fax: +607 660 8866  
Email: info-my@advancelab-global.com  
Website: www.advancelab.com.sg

## Myanmar

Advancelab Scientific &  
Engineering Co., Ltd

No(81/2), 7th Street, Than Thu Mar Road,  
(14/1)Quarter, South Okkalapa Township,  
Yangon, Myanmar.  
Tel: +95 (1) 572393 / +95 (9) 779753802  
Fax: +95 (1) 572393  
Email: info-mm@advancelab-global.com  
Website: www.advancelab.com.sg

## Singapore

Advancelab (S) Pte Ltd

No.52 Senang Crescent,  
Singapore 416619  
Tel: +65 6448 8255  
Fax: +65 6448 9833  
Email: info@advancelab.com.sg  
Website: www.advancelab.com.sg

## Thailand

Advancelab (Thailand)  
Co., Ltd.

9/28, Village No 13, Bang Ramat  
Sub-district, Taling Chan District,  
Bangkok Metropolis, Thailand  
Tel: +65 6448 8255  
Fax: +65 6448 9833  
Email: info-th@advancelab-global.com  
Website: www.advancelab.com.sg



Indonesia • Malaysia • Myanmar • Philippines • Singapore • Thailand