



GAS CABINET



CONTENTS

Gas Cylinder Cabinet

Features

3

Models

- 1 Cylinder

4

- 2 Cylinder

5

- 4 Cylinder

6

- 6 Cylinder

7

Rack and Stand

8 - 11

Option and Accessories

12 - 13

Warranty

14

Gas Cylinder Cabinet Features



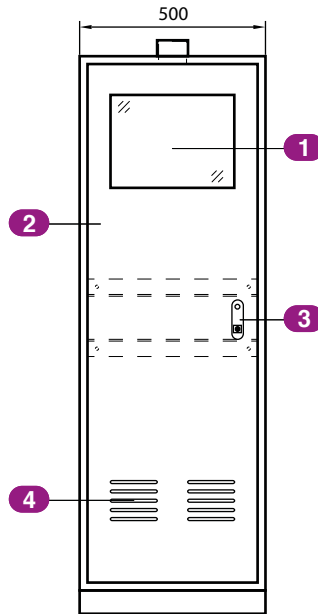
Gas leaks due to improper handling, tampering, regulator failure, mechanical stress and corrosion are common in many industrial and laboratory facilities. Improper gas cylinder storage can cause serious workplace hazards. Avancelab Gas Cylinder Cabinets are designed to provide maximum protection and offer superior features that make them extremely durable and easy-to-use. The cabinets, which can safely store 1-6 standard size gas cylinders, are a critical part of any properly planned facility.

- Industrial grade electrogalvanised steel with heavy epoxy powder coated finish
- 3 point door latching mechanism
- Reinforced glass panel for easy viewing
- Aluminium chequered plate ramp for easy loading / unloading of cylinder
- Exhaust port connection
- Cylinder bracket and chain

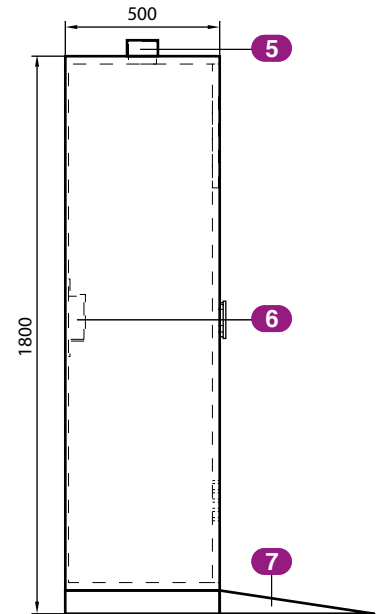
1 - Cylinder



Front View



Side View

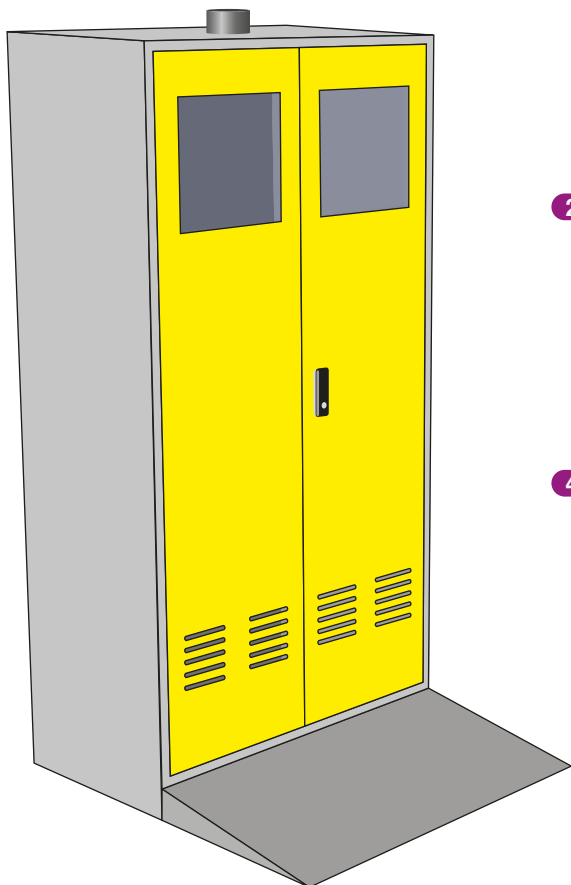


- 1. Tempered glass
- 2. Electrogalvanised steel with heavy epoxy powder coating
- 3. Flush mounted locking handle
- 4. Louver
- 5. Exhaust port
- 6. Cylinder bracket and chain
- 7. Aluminium ramp



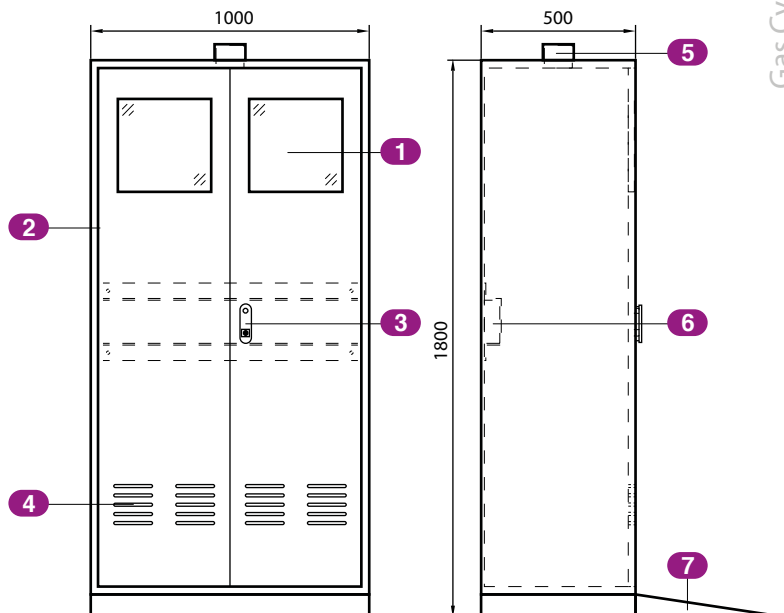
MODEL	AD01GC
Dimensions, mm (LxWxH)	500 mm x 500mm x 1800mm
Material Specifications	Electrogalvanised steel with heavy epoxy powder coated, reinforced glass with wire
Cylinder Capacity	1
No. of Doors	1
Door Type	Manual

2 - Cylinder



Front View

Side View



- 1. Tempered glass
- 2. Electrogalvanised steel with heavy epoxy powder coating
- 3. Flush mounted locking handle
- 4. Louver
- 5. Exhaust port
- 6. Cylinder bracket and chain
- 7. Aluminium ramp

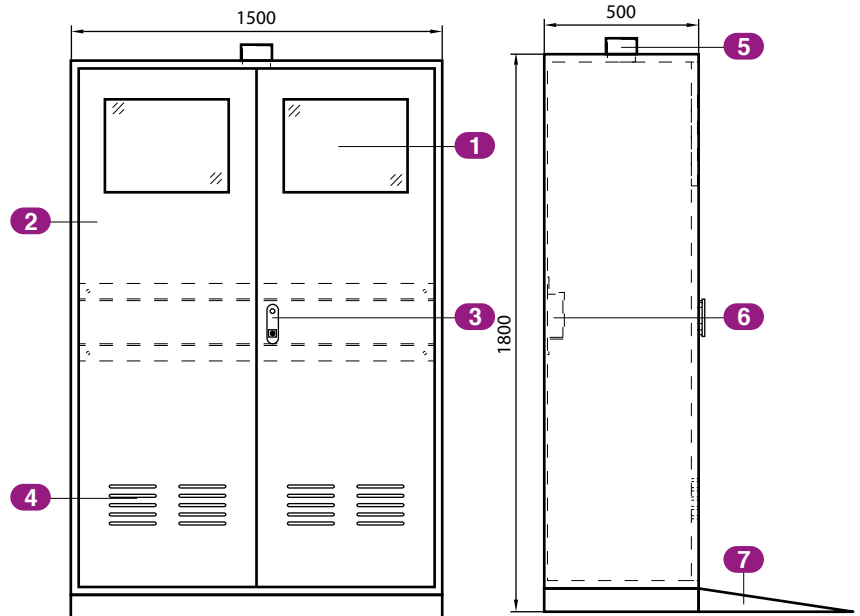
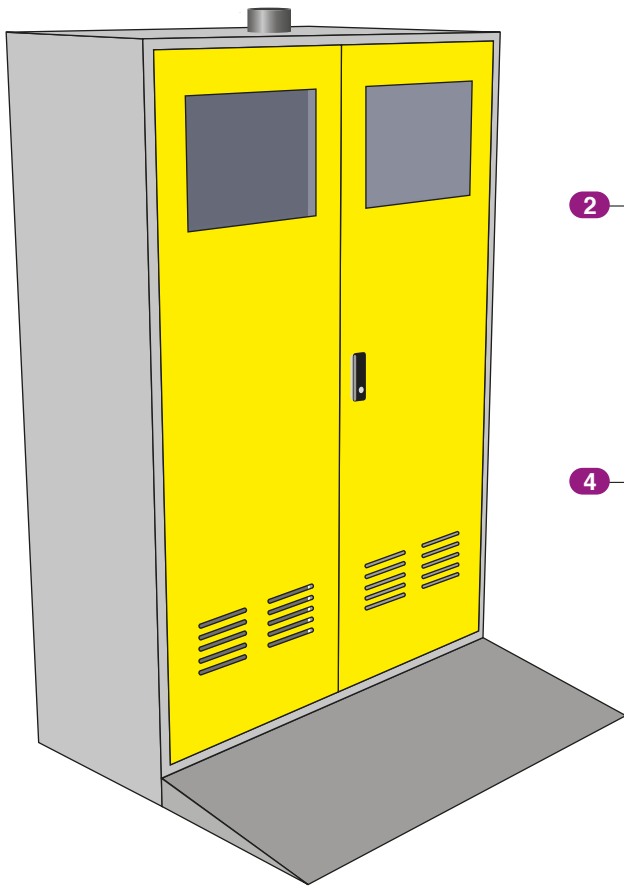


MODEL	AD02GC
Dimensions, mm (LxWxH)	1000 mm x 500mm x 1800mm
Material Specifications	Electrogalvanised steel with heavy epoxy powder coated, reinforced glass with wire
Cylinder Capacity	2
No. of Doors	2
Door Type	Manual

4 - Cylinder

Front View

Side View



- 1. Tempered glass
- 2. Electrogalvanised steel with heavy epoxy powder coating
- 3. Flush mounted locking handle
- 4. Louver
- 5. Exhaust port
- 6. Cylinder bracket and chain
- 7. Aluminium ramp

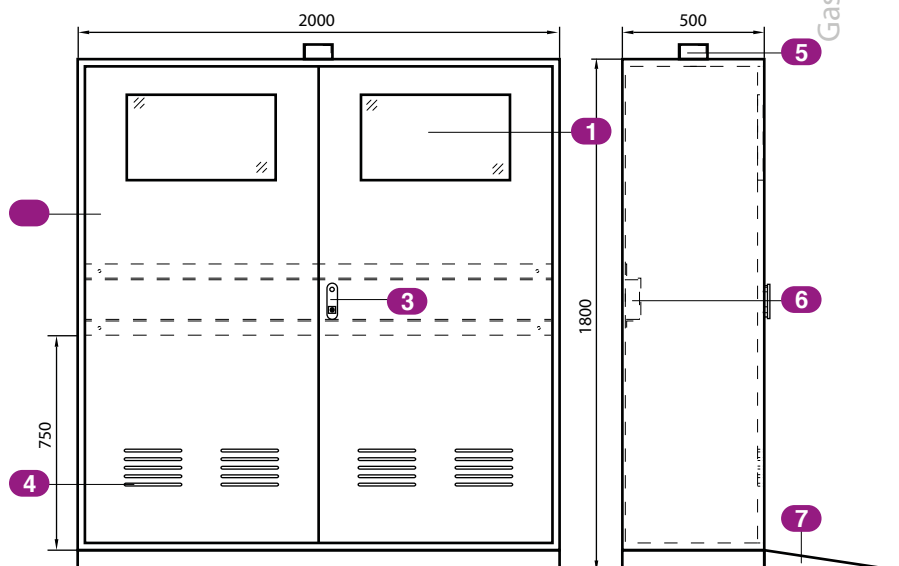
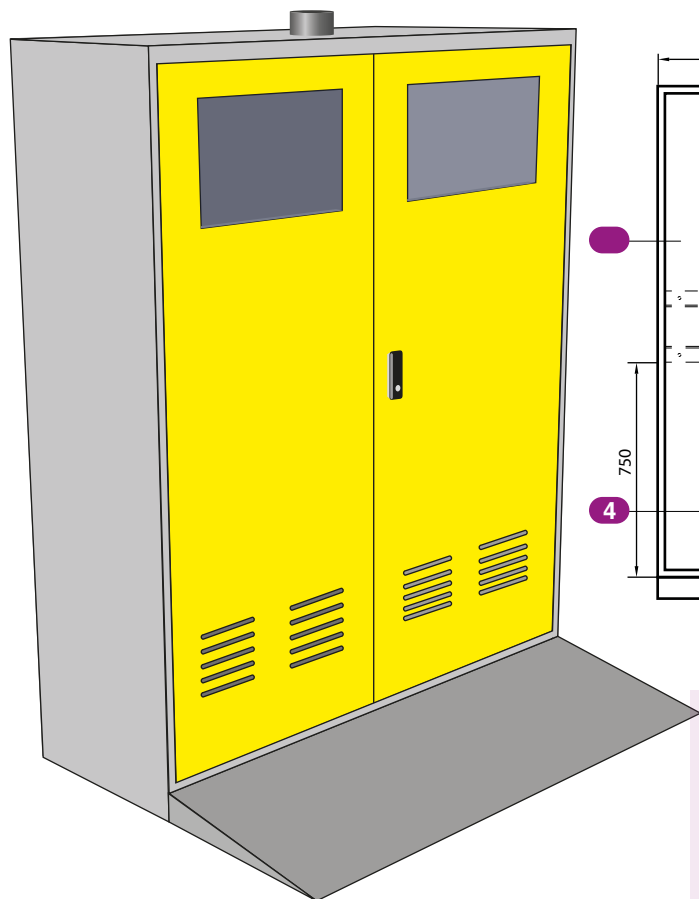


MODEL	AD04GC
Dimensions, mm (LxWxH)	1500 mm x 500mm x 1800mm
Material Specifications	Electrogalvanised steel with heavy epoxy powder coated, reinforced glass with wire
Cylinder Capacity	4
No. of Doors	2
Door Type	Manual

6 - Cylinder

Front View

Side View



- 1. Tempered glass
- 2. Electrogalvanised steel with heavy epoxy powder coating
- 3. Flush mounted locking handle
- 4. Louver
- 5. Exhaust port
- 6. Cylinder bracket and chain
- 7. Aluminium ramp



MODEL	AD06GC
Dimensions, mm (LxWxH)	2000 mm x 500mm x 1800mm
Material Specifications	Electrogalvanised steel with heavy epoxy powder coated, reinforced glass with wire
Cylinder Capacity	6
No. of Doors	2
Door Type	Manual

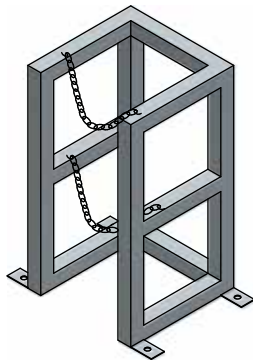
Rack Configurations

Rack Features

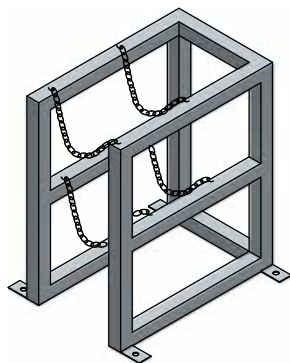
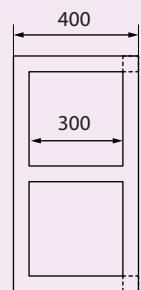
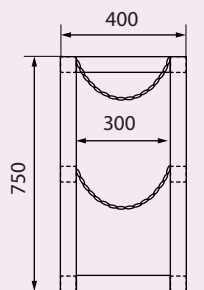
- 50mm x 50mm rectangular steel tube
- Two levels of welded steel chains
- Sturdy steel chain for safe cylinder retention
- Grey epoxy powder coating
- Indoor or outdoor bulk cylinder storage

Model	Stand Capacity	Dimensions (WxDxH), mm
AD0101GR	1 cylinder	400 x 400 x 750
AD0102GR	2 cylinder	400 x 650 x 750
AD0201GR	2 cylinder	750 x 400 x 750
AD0103GR	3 cylinder	400 x 950 x 750
AD0301GR	3 cylinder	1100 x 400 x 750
AD0104GR	4 cylinder	400 x 1250 x 750
AD0401GR	4 cylinder	1450 x 400 x 750
AD0202GR	4 cylinder	750 x 650 x 750

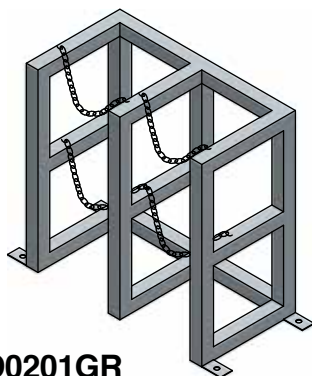
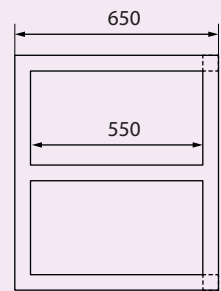
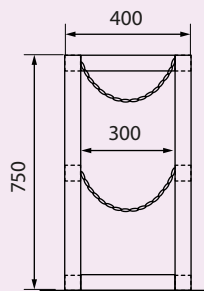
Model	Stand Capacity	Dimensions (WxDxH), mm
AD0203GR	6 cylinder	750 x 950 x 750
AD0302GR	6 cylinder	1100 x 650 x 750
AD0204GR	8 cylinder	750 x 1250 x 750
AD0402GR	8 cylinder	1450 x 650 x 750
AD0303GR	9 cylinder	1100 x 950 x 750
AD0304GR	12 cylinder	1100 x 1250 x 750
AD0403GR	12 cylinder	1450 x 950 x 750



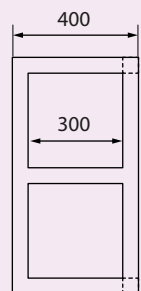
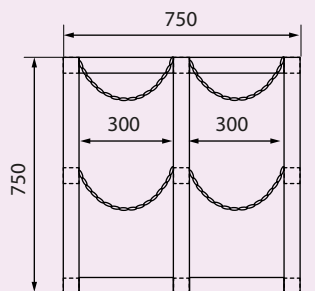
AD0101GR

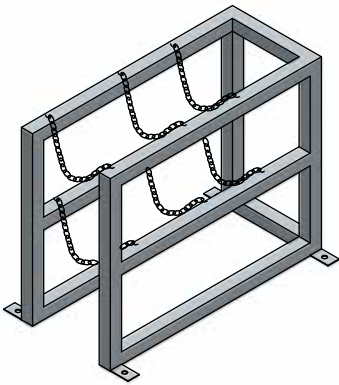


AD0102GR

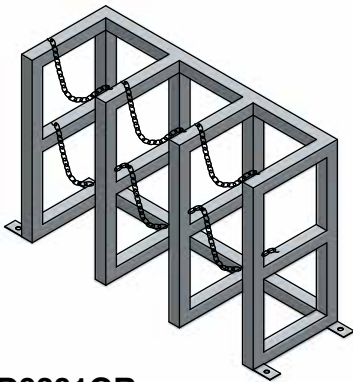
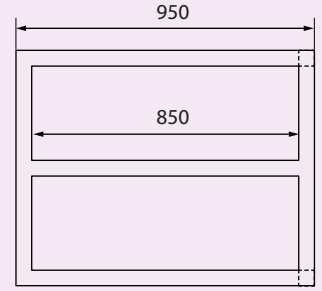
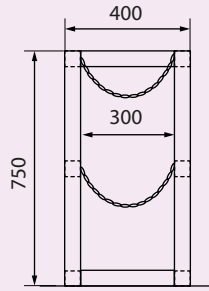


AD0201GR

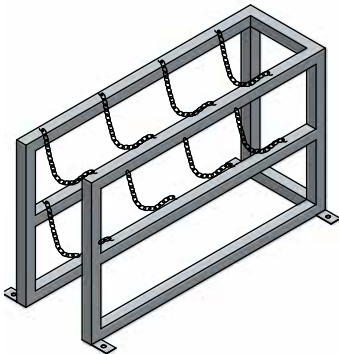
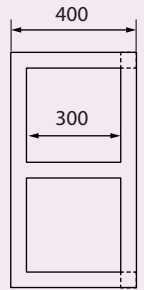
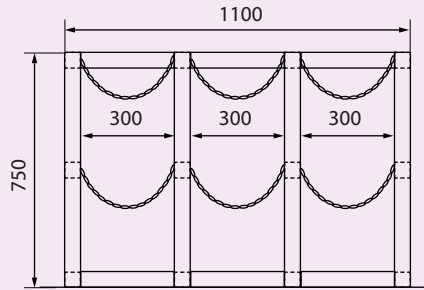




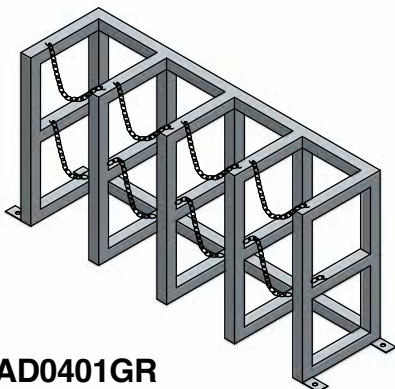
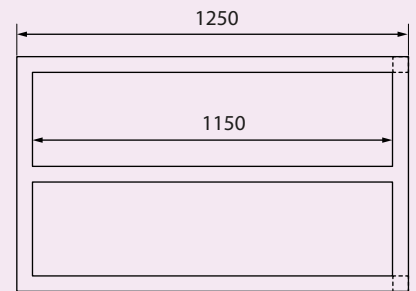
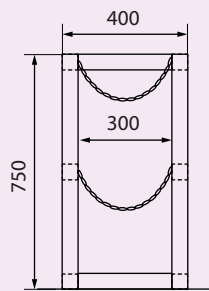
AD0103GR



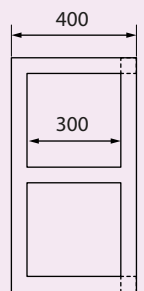
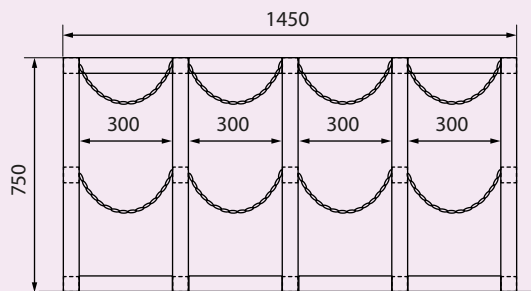
AD0301GR

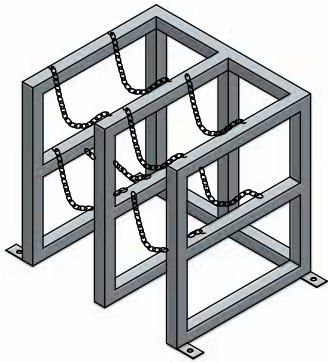


AD0104GR

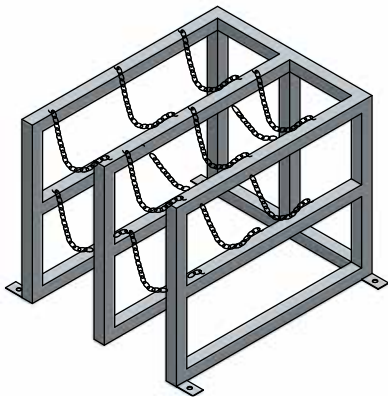
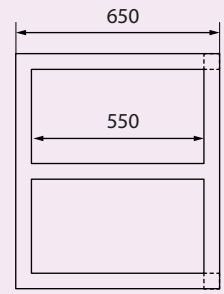
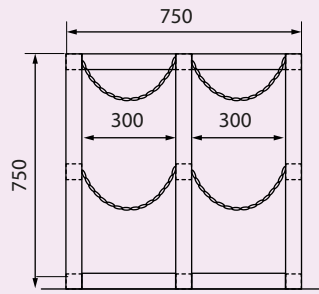


AD0401GR

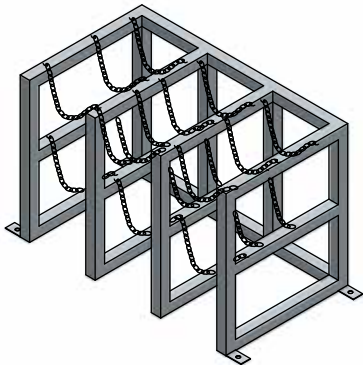
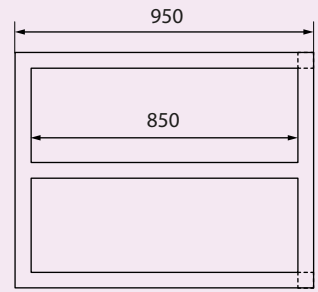
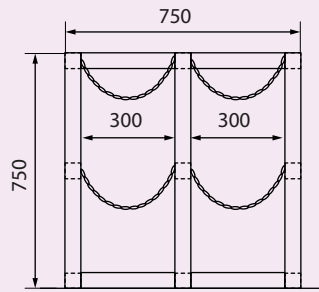




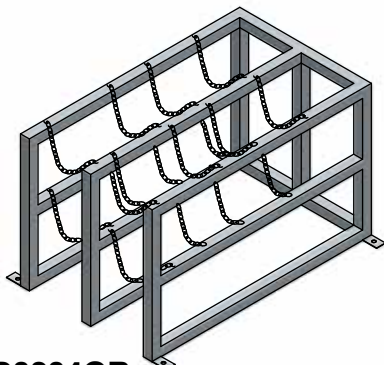
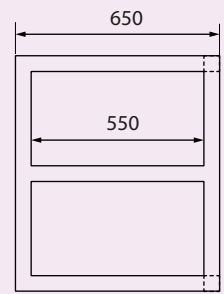
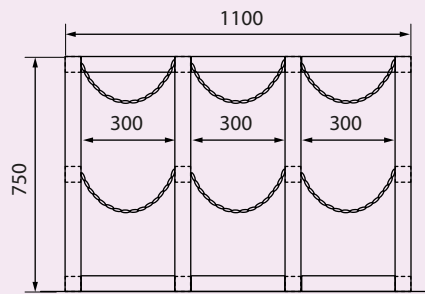
AD0202GR



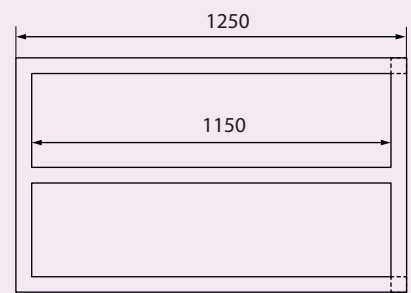
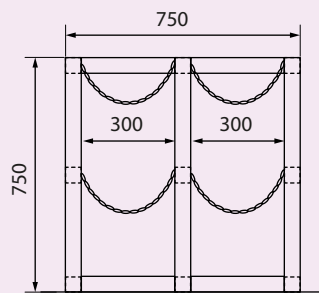
AD0203GR

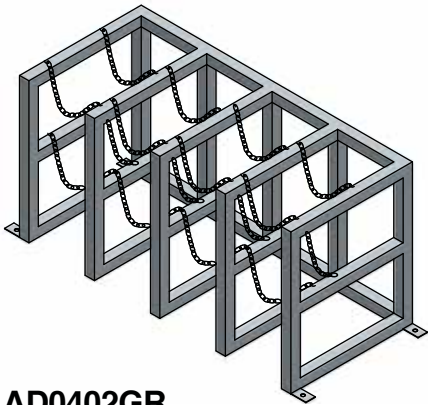


AD0302GR

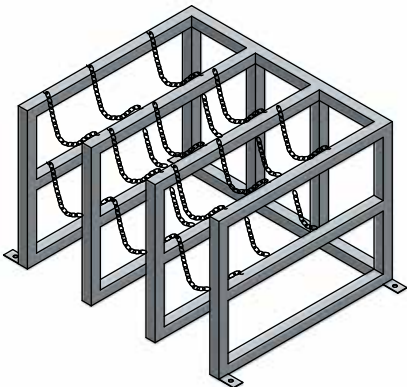
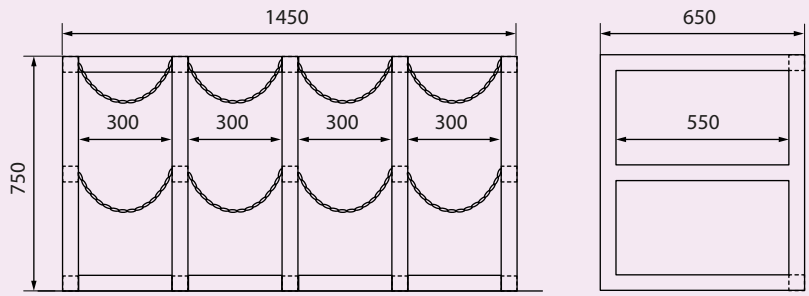


AD0204GR

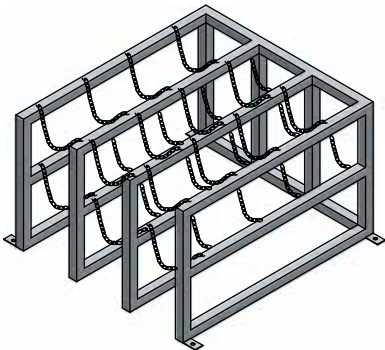
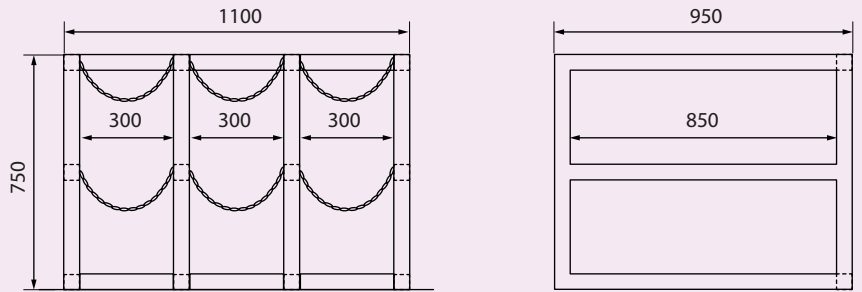




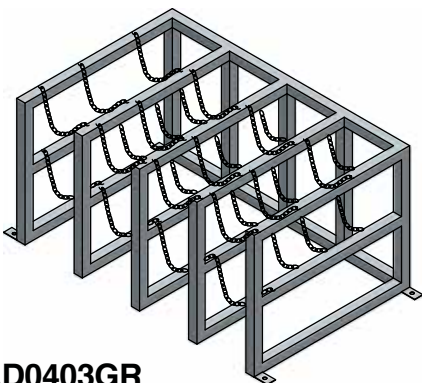
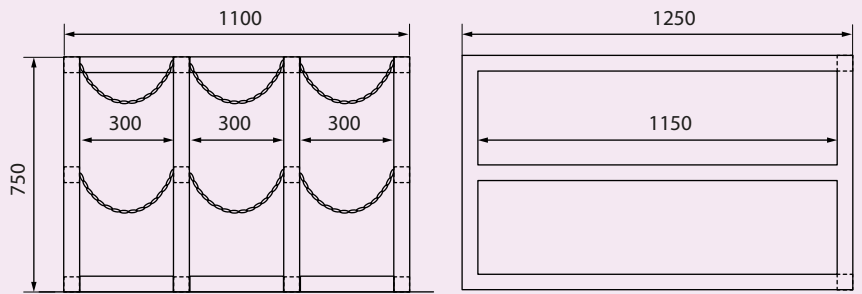
AD0402GR



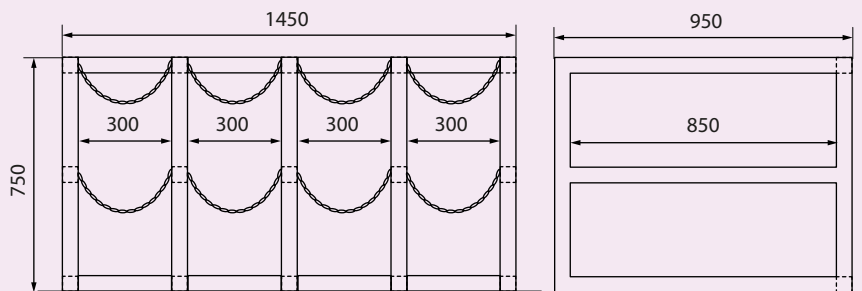
AD0303GR



AD0304GR



AD0403GR



Options and Accessories

Point of Use Regulator LM51-4



- Brass (chrome plated) line pressure regulator
- For non-corrosive gases and gas mixture up to quality 6.0
- 4 ports for flexible and individual configuration
- Very stable outlet pressure
- Suitable for inlet pressure up to 300 bar
- Max. outlet pressure 1,5 up to 200 bar
- Metal-to-metal seal to atmosphere
- Suitable for ECD-applications
- Inlet filter
- Tested for use with oxygen
- Simple outlet pressure limitation by handwheel
- New laboratory-style design and easy to install
- Ergonomically designed

Semi-automatic Changeover Panels BM55-2U



- Wall and cabinets mounting pressure control panels with automatic change-over function
- For non-corrosive gases up to quality 6.0
- Laboratory-style design
- Ergonomically designed
- Modular design (to be extended to 2,3 etc. cylinders)
- Filter at the process gas inlet valve
- Diaphragm-type pressure shut-off valves optimised for low internal volume with On/Off position indicator
- Suitable for ECD applications
- Diaphragm-type pressure regulator with high control accuracy and anti-vibration device
- Outlet adapter with integrated relief valve and optional diaphragm-shut-off valve (this prevents the outlet piping from draining during disconnecting the panel)
- Designed for easy installation
- Approved for use with oxygen
- Compact design especially for installation into safety cabinets for gas cylinders
- Minimised pressure difference between left and right hand side outlet pressure
- Double-stage model: BM56-2U

Extensions Semi-automatic Changeover Panels BM55+56-E



- Extension modules for Semi-automatic changeover panel
- Spectrolab BM55 and BM56 series
- For non-corrosive gases up to quality 6.0
- Laboratory-style design
- Designed for easy installation
- With filter at the inlet of the individual extension modules

Alarm Unit



- Alarm units as 4 or 12 channel version
- For connection of 4 or 12 digital input signals such as contact pressure gauges or pressure switches
- Suitable for transducers according to NAMUR specification (e.g. inductive sensors)
- All channels are individually programmable as normally closed or normally open contact
- Delay mode (5 sec.) is integrated for all channels
- Potential free output as normally closed or normally open
- Visible alarm (diodes integrated in keypad)
- Acoustic alarm (integrated piezo-buzzer)
- Plastic housing for wall and panel mounting

Cylinder connector



- BS 3 - for O₂, He, Ar, Air
- BS 4 - for H₂, C₂H₂, Methane
- BS 8 - for CO₂, N₂
- BS 13 - for N₂O
- CGA 510 - for LPG
- Other type available upon request

High pressure hose



- Teflon lined stainless steel braided hose
- Max working pressure: 3000psi
- End connection: 1/4" M/F NPT
- Length: 0.6m, 1.0m, 1.2m, 1.5m, 2.0m

Flash back arrestor



- For C₂H₂, LPG, O₂, H₂, Methane, etc
- Connection: 1/4" M/F NPT

Cylinder bracket



- Cast Aluminium with Epoxy coating and galvanized steel chain

Contact gauge



- Inductive type (2")
Or
Magnetic latching type (2 1/2")
Or
Reed contact type (2")

Warranty

Products Manufactured by Advancelab: Advancelab(S) Pte.Ltd., warrants products that it manufactures to be free from defects for a period of 12 months for parts, commencing from the date of shipment. Advancelab's sole responsibility is to repair or replace, at its option, any part of the product that proves defective or malfunctioning during this time limit. This warranty is void if the equipment is abused or modified by the customer, is operated outside Advancelab's operating instructions or specifications, or is used in any application other than that for which it is specified. This warranty does not include routine maintenance or service procedures, breakage, shipping damage, nor damage from misuse, intentional or unintentional abuse, neglect, natural disasters, or acts of God.

Freight Shortage or Damage: Upon receipt of any equipment from Advancelab, customer shall immediately unpack and inspect for damage or shortage. The customer shall not accept a damaged package or a short shipment until the carrier makes a "damage or shortage" notation on both the carrier's and customer's copy of the freight bill or delivery receipt. Service title passes when the shipment is loaded, so customer is responsible for filing and collecting a freight claim. Any replacement products must be ordered and paid for separately.

Generally, customers can improve the chance of collecting on a freight claim by following these procedures:

1. Formally requesting that the carrier inspect the shipment immediately upon suspecting damage or shortage to verify condition.
2. Notifying the carrier upon discovery of concealed damage and requesting an inspection within 15 days of receipt, both in person or phone and following up via mail.
3. Keeping the shipment as intact as possible, including retaining original packaging materials and keeping the product as close to the original receiving location as possible.
4. Holding salvage for disposition by the carrier.

All Claims: Advancelab (S) Pte.Ltd., expressly disclaims all other warranties, expressed or implied or implied by statute, including the warranties of merchantability or fitness for intended use. Advancelab is not responsible for consequential or incidental damages arising out of the purchase or use of the products supplied by Advancelab. Advancelab is not liable for damage to facilities, other equipment, products, property or personnel of others, or of their agents, suppliers, or affiliated parties, which is caused or alleged to have been caused by products supplied by Advancelab. In any event or series of events, Advancelab's total liability for any and all damages whatsoever is limited to the lesser of the actual damages or the original invoice cost of the items alleged to have caused the damage. The customer's sole and exclusive remedy for any cause of action whatsoever is repair or replacement of the non-conforming products or refund of the actual purchase price, at the sole option of Advancelab. All claims must be made in writing within 90 days of the date the product was shipped. Any claims not made within this time limit shall be deemed waived by the customer. Advancelab is not responsible for any additional costs of repair caused by poor packaging or in-shipment damage during return.

Warranty Returns: All warranty returns must be authorized in advance by Advancelab and approved by writing. Unless approved in advance for good reason, all returns must be in original condition, including all manuals, and must be packaged in original packaging materials. All returned goods are to be shipped to Advancelab, freight prepaid at customer's expense.



AdvanceLab has built a rock steady reputation for solutions where most fail. Since our establishment in 2003, we have positioned ourselves as the premier facility solution provider for the scientific industry; designing, building and delivering quickly and without fuss. We have also taken our brand of expertise globally; now with exports of laboratory casework, fume hoods, laminar flow cabinets and clean booths heading to 30 countries, covering all continents.



GAS CABINETS

Indonesia

PT. Advancelab Saintifik

Jl. Boulevard Raya Blok QJ 5 No. 23
Kelapa Gading, Jakarta Utara, Indonesia
Tel: +6221 45854570
Fax: +6221 45854570
Email: info-id@advancelab-global.com
Website: www.advancelab.com.sg

Malaysia

Advancelab Sdn Bhd

KL Office: Unit B-1-10, Block B, No. 2,
Jalan PJU 1A/7A, Oasis Square, Ara
Damansara, 47301 Petaling Jaya,
Selangor Darul Ehsan, Malaysia.
Tel: +603 7831 0188
Fax: +603 78310588
Email: info-my@advancelab-global.com
Website: www.advancelab.com.sg

Johor Factory: No. 3388, Jalan
Pekeliling Tanjung 27/2, Kawasan
Perindustrian Indahpura, 81000
Kulaijaya, Johor, Malaysia.
Tel: +607 660 8877
Fax: +607 660 8866
Email: info-my@advancelab-global.com
Website: www.advancelab.com.sg

Myanmar

Advancelab Scientific & Engineering Co., Ltd

No(81/2), 7th Street, Than Thu Mar Road,
(14/1)Quarter, South Okkalapa Township,
Yangon, Myanmar.
Tel: +95 (1) 572393 / +95 (9) 779753802
Fax: +95 (1) 572393
Email: info-mm@advancelab-global.com
Website: www.advancelab.com.sg

Singapore

Advancelab (S) Pte Ltd

No.52 Senang Crescent,
Singapore 416619
Tel: +65 6448 8255
Fax: +65 6448 9833
Email: info@advancelab.com.sg
Website: www.advancelab.com.sg

Thailand

Advancelab (Thailand) Co., Ltd.

9/28, Village No 13, Bang Ramat
Sub-district, Taling Chan District,
Bangkok Metropolis, Thailand
Tel: +65 6448 8255
Fax: +65 6448 9833
Email: info-th@advancelab-global.com
Website: www.advancelab.com.sg

Indonesia • Malaysia • Myanmar • Philippines • Singapore • Thailand

